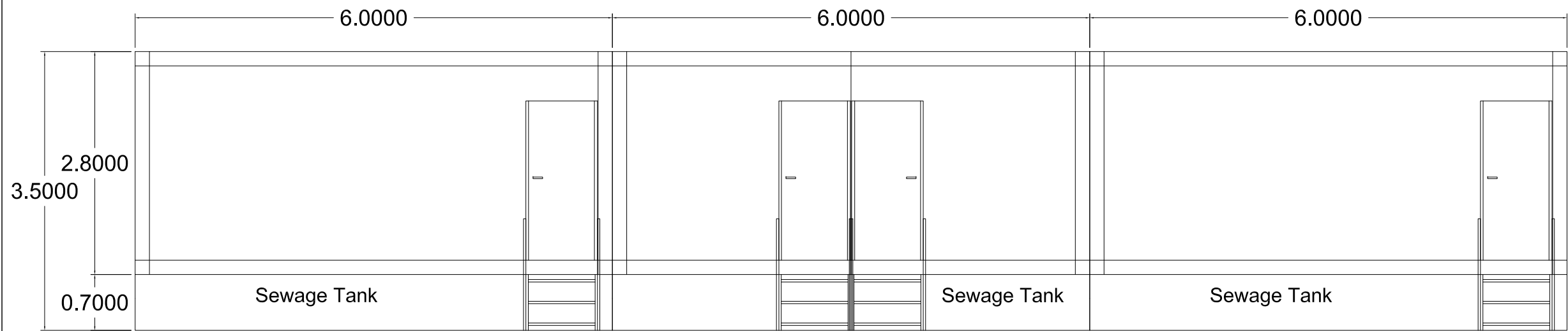
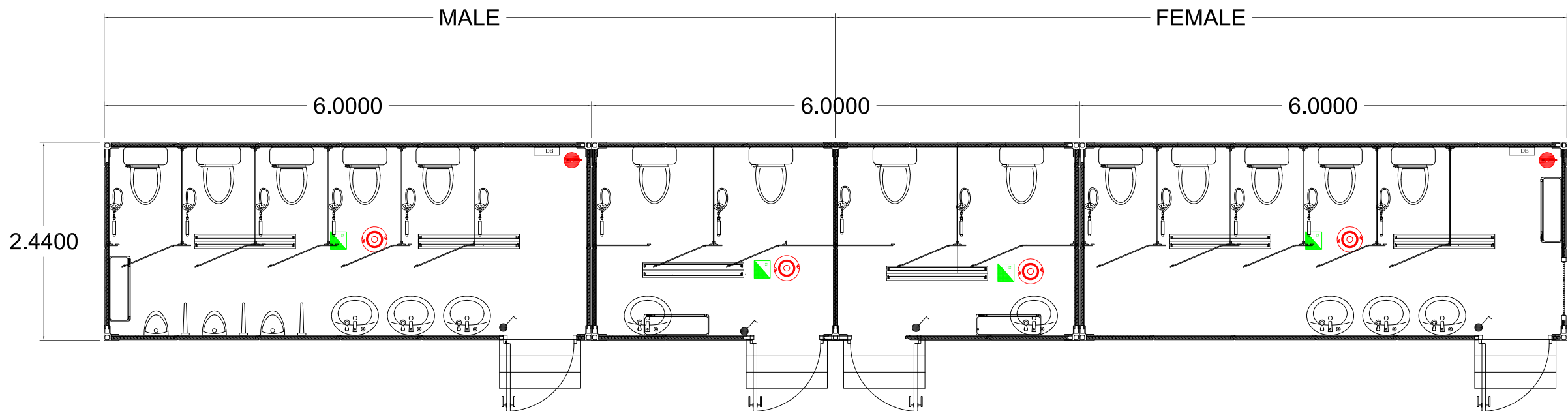


NOTE: all walls are ONE-HOUR FIRE RATED



	EXIT LIGHT
	SMOKE DETECTOR
	EMERGENCY LIGHT
	AIR CONDITION
	TUBE LIGHT
	SINGLE WAY SWITCH
	2 WAY 2 GANG SWITCH
	2 WAY SWITCH
	SOCKET
	FIRE EXTINGUISHER



TITLE :
3 joined toilet container, 5 + 2 male, 5+2 Female

SCALE : 1:XXX		PROJECT NO. : RS - DWG - 12 - 24		
PROJECT	DRAWING NO.	SHT	SIZE	REVISION
0012	DWG - 0012 0 24	0001	A3	A