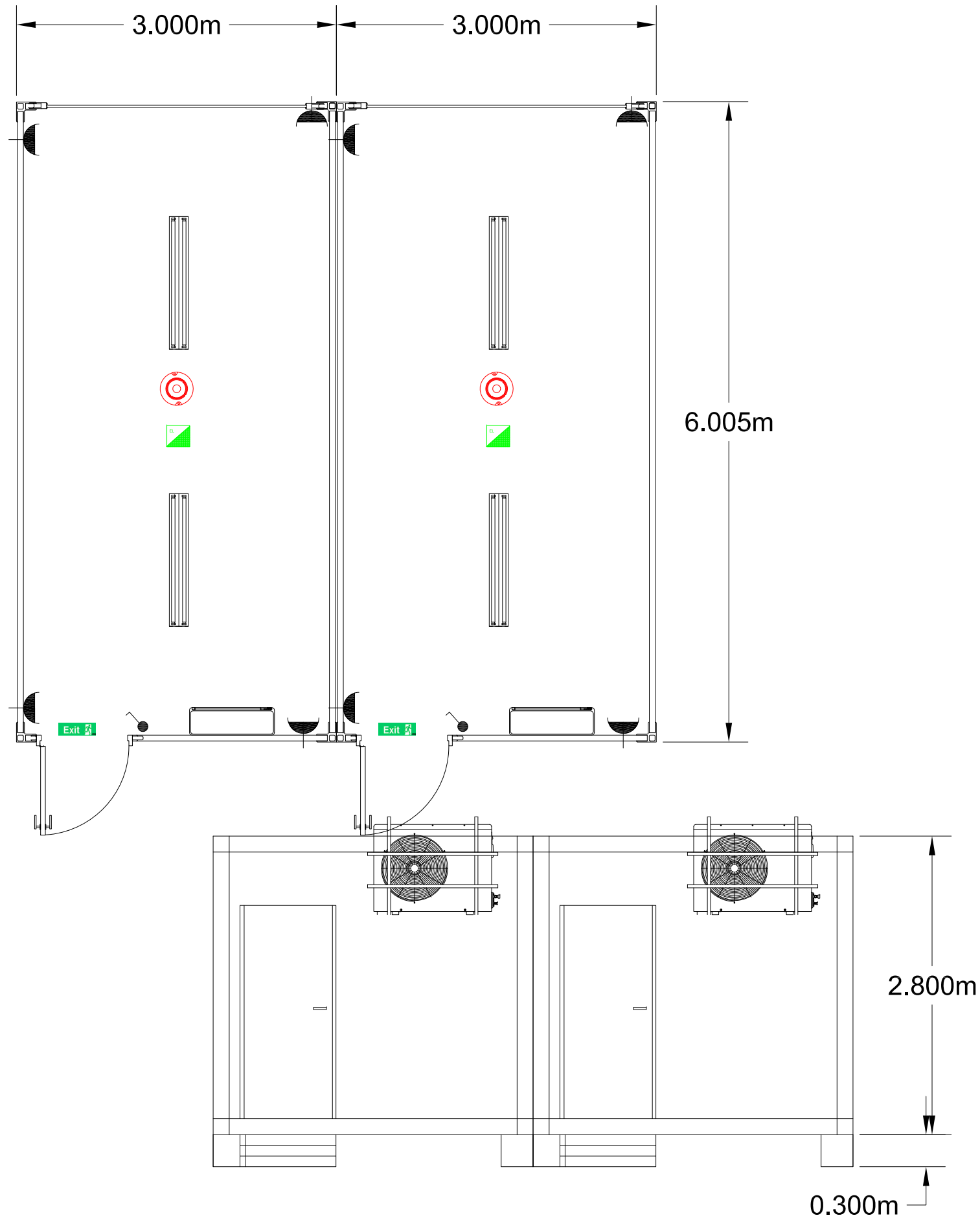


NOTE: all walls are ONE-HOUR FIRE RATED



	EXIT LIGHT
	SMOKE DETECTOR
	EMERGENCY LIGHT
	AIR CONDITION
	TUBE LIGHT
	SINGLE WAY SWITCH
	2 WAY 2 GANG SWITCH
	2 WAY SWITCH
	SOCKET
	FIRE EXTINGUISHER



TITLE :				
2 joined ELA 6m x 6m				
SCALE :	1:XXX	PROJECT NO. :	RS - DWG - 08 - 24	
PROJECT	DRAWING NO.	SHT	SIZE	REVISION
0009	DWG - 0009 0 24	0001	A3	A